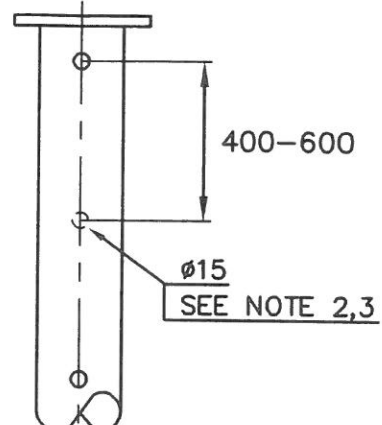
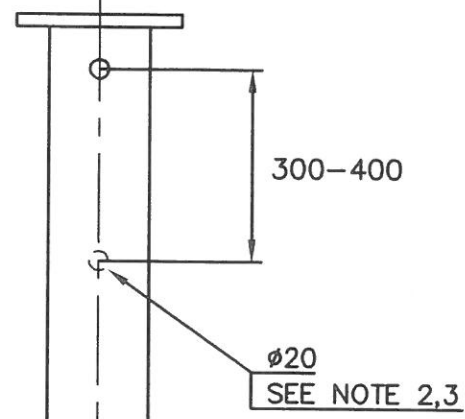


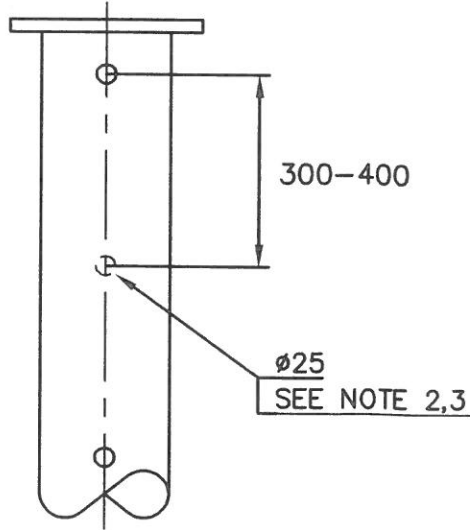
5" SCH 10-60



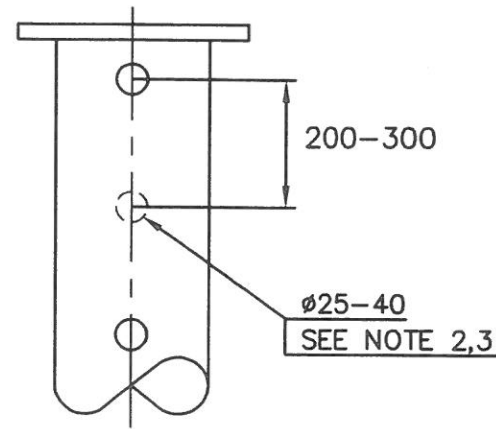
6" SCH 10-60



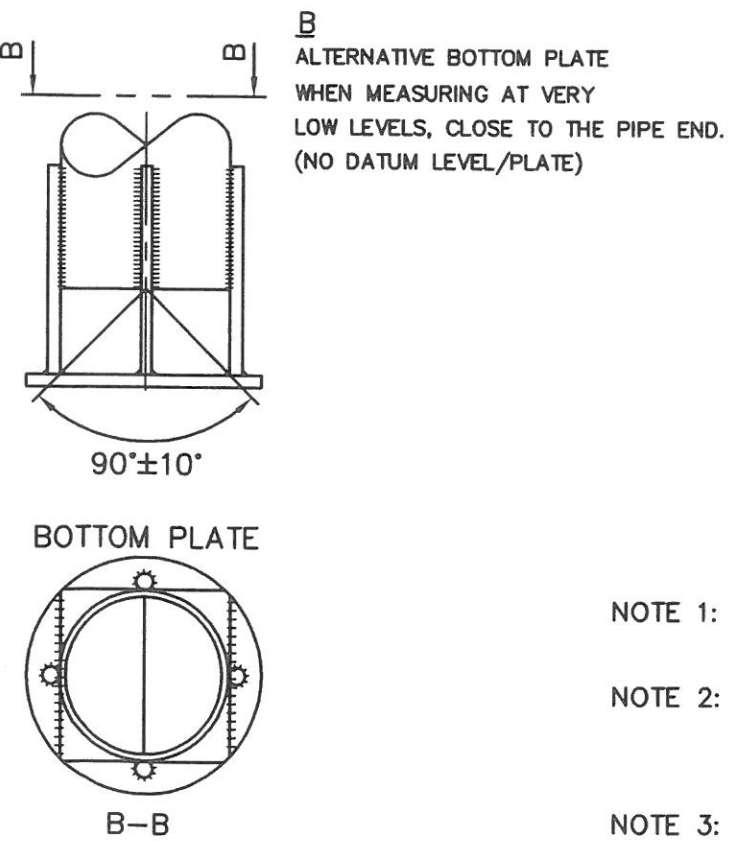
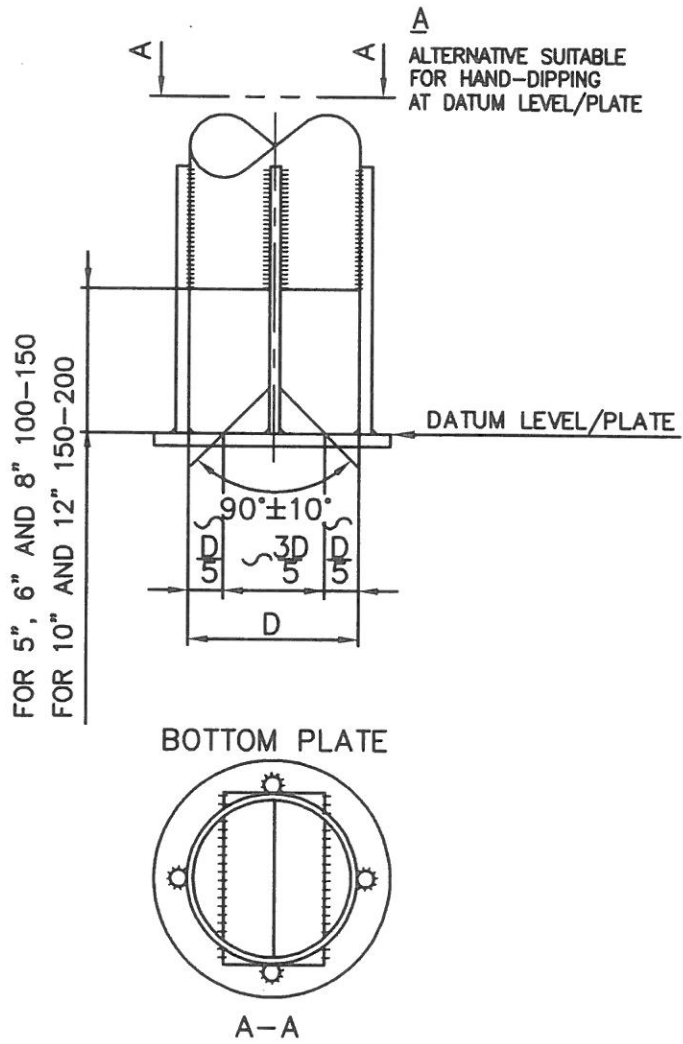
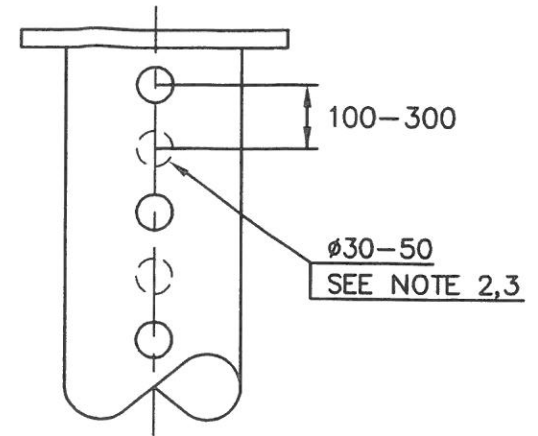
8" SCH 20-80



10" SCH 10-60



12" SCH 10-40-XS



**FLANGES**

- SLIP-ON FLANGES  
 5" ANSI CLASS 150  
 DN 125 PN 16 DIN 2501  
 6" ANSI CLASS 150  
 DN 150 PN 16 DIN 2501  
 8" ANSI CLASS 150  
 DN 200 PN 10 DIN 2501  
 10" ANSI CLASS 150  
 12" ANSI CLASS 150  
 DN 300 PN 16 DIN 2501

- NOTE 1: REINFORCEMENT OF WELDING CAN NOT BE ACCEPTED INSIDE THE STILL PIPE.  
 NOTE 2: INTERNAL SURFACE OF PIPE AFTER DRILLING OF HOLES TO BE SMOOTH AND FREE FROM BURRS.  
 NOTE 3: EVERY HOLE TURNED 180°.

BOTTOM PLATE

BOTTOM PLATE

BOTTOM PLATE

A-A

BOTTOM PLATE

B-B

ISSUED BY GU-TKA	WEEK 0422	PRODUCT CODE REX	FILE ACAD	INSTALLATION DRAWING TITLE RECOMMENDED STILL PIPES FOR RTG 3950	
APPROVED BY GU-HF	WEEK 0422	ORIGINAL DWG NO. 9150070-946	SCALE 1:1	DOC TYPE 2	DWG NO. 9150070-946
<b>SAAB ROSEMOUNT</b>			1 ST ANGLE	ISSUE 1	SHEET 1/1
<small>THE COPYRIGHT/OWNERSHIP OF THIS DOCUMENT IS AND WILL REMAIN OURS. THE DOCUMENT MUST NOT BE USED WITHOUT OUR AUTHORIZATION OR BROUGHT TO THE KNOWLEDGE OF A THIRD PARTY. CONTRAVENTION WILL BE PROSECUTED. SAAB MARINE ELECTRONICS AB.</small>					

TOP VIEW

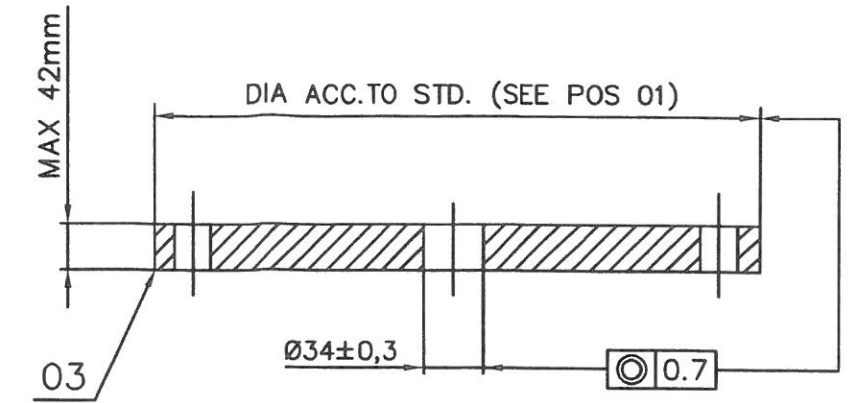
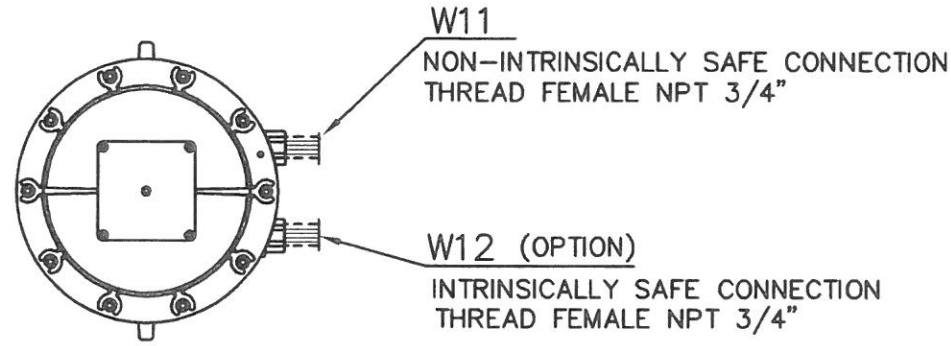


FIG B

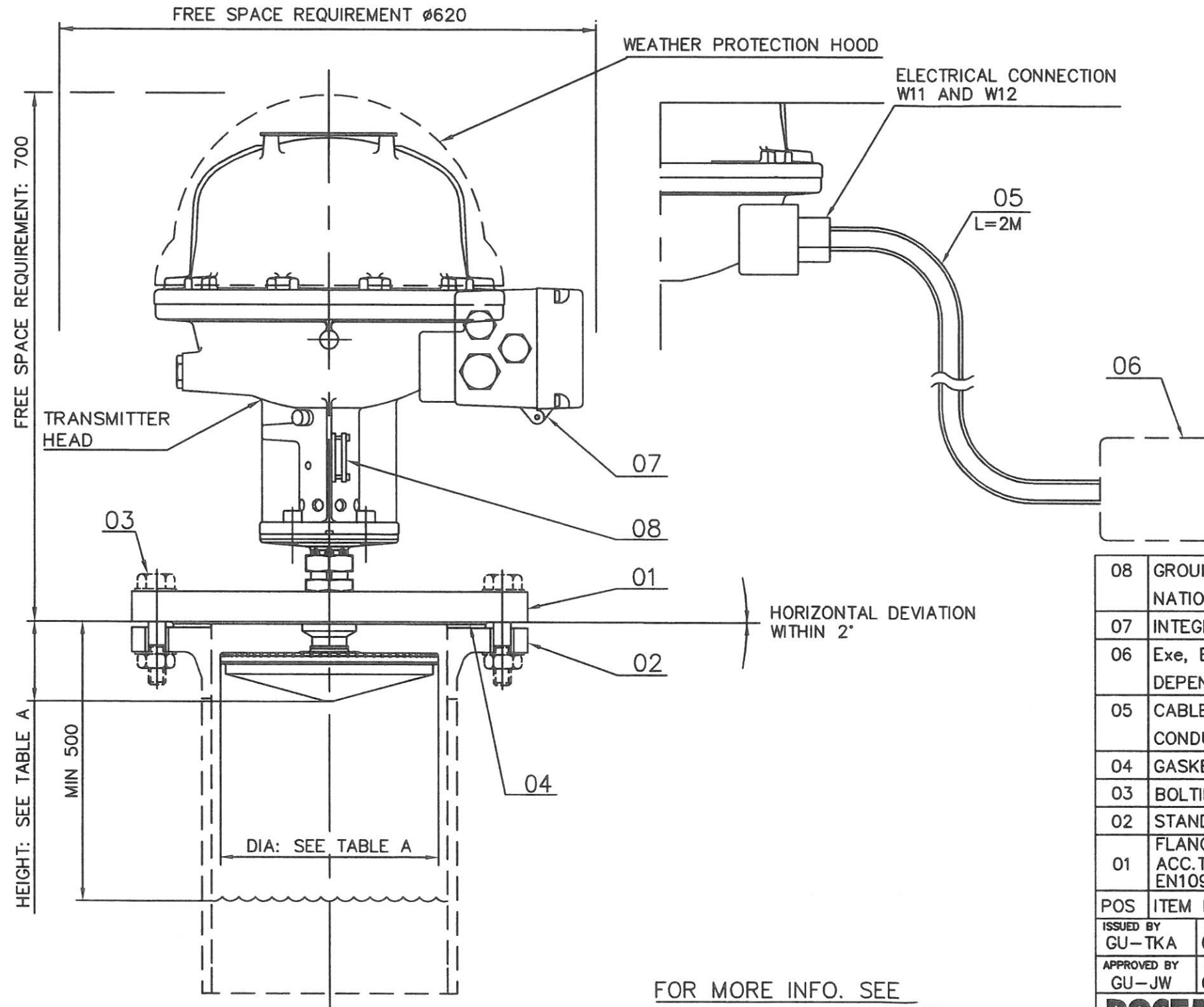


TABLE A			
PIPE SIZE	PIPE ID (mm) MAX-MIN	ANTENNA DIM (mm)	
		DIA	HEIGHT
5" SCH 10-60	$\varnothing 134,5 - \varnothing 125,3$	120.2	56
6" SCH 10-60	$\varnothing 161,5 - \varnothing 150,3$	145.2	59
8" SCH 20-80	$\varnothing 206,3 - 193,7$	189	64.7
10" SCH 10-60	$\varnothing 264,7 - 247,7$	243	72.5
12" SCH 10-40-XS	$\varnothing 314,7 - 298,5$	293.5	79

POS	ITEM DESCRIPTION	SUPPLIER
08	GROUND CONNECTION (TO BE USED ACCORDING TO NATIONAL CODE OF PRACTISE)	RTR
07	INTEGRATED JUNCTION BOX	RTR (OPTION JBI)
06	Exe, Exi OR EXPLOSION PROOF JUNCTION BOX DEPENDING ON NATIONAL CODE OF PRACTISE	CUSTOMER (RTR OPTION)
05	CABLE PROTECTION HOSE OR EXPLOSION PROOF CONDUIT DEPENDING ON NATIONAL CODE OF PRACTISE	CUSTOMER (RTR OPTION HOSE KIT)
04	GASKET, SOFT TYPE	CUSTOMER
03	BOLTING ACC. TO FLANGE STD IN POS 01	CUSTOMER
02	STANDARD PIPE FLANGE ACC. TO POS 01	CUSTOMER
01	FLANGE WITH CENTRE HOLE ACC. TO FIG. B. DIMENSIONS ACC. TO ANSI B16.5 5"-12" 150# OR EN1092-1: DN150 PN16, DN200 PN10, DN250 PN16.	RTR/CUSTOMER

ISSUED BY				INSTALLATION DRAWING TITLE					
GU-TKA	WEEK 0403	PRODUCT CODE REX	FILE ACAD	MECHANICAL INSTALLATION DWG					
APPROVED BY				SCALE					
GU-JW	WEEK 0403	ORIGINAL DWG NO. 9150 070-941	SCALE -	STILL-PIPE ARRAY ANTENNA					
<b>ROSEMOUNT</b> Tank Gauging				1 ST ANGLE		DOC TYPE	DWG NO.	ISSUE	SHEET
						2	9150 070-941	2	1/1

FOR MORE INFO. SEE  
Rosemount TankRadar Rex  
INSTALLATION MANUAL

THE COPYRIGHT OWNERSHIP OF THIS DOCUMENT IS AND WILL REMAIN OURS. THE DOCUMENT MUST NOT BE USED WITHOUT OUR AUTHORIZATION OR BROUGHT TO THE KNOWLEDGE OF A THIRD PARTY. CONTRAVENTION WILL BE PROSECUTED. ROSEMOUNT TANK RADAR AB, SWEDEN.